









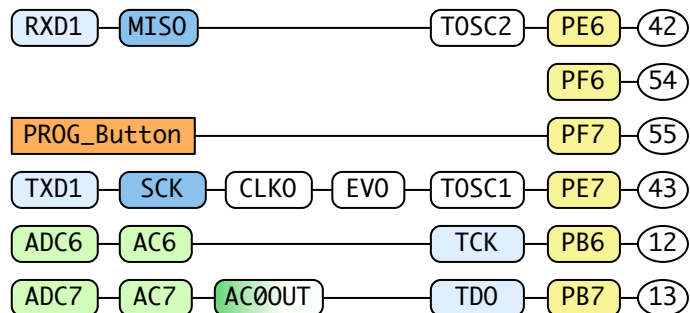


# XMEGA AVR STICK

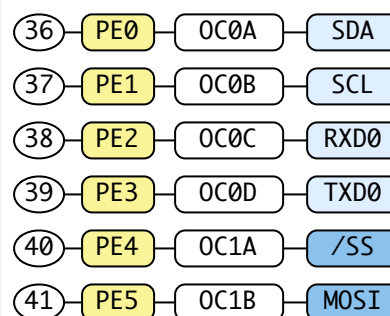
## PINOUT DIAGRAMM

-  GND
-  Power
-  Control
-  Physical Pin
-  Port Pin
-  Pin Function
-  Analog In
-  Analog Out
-  Serial Pin
-  SPI Pin

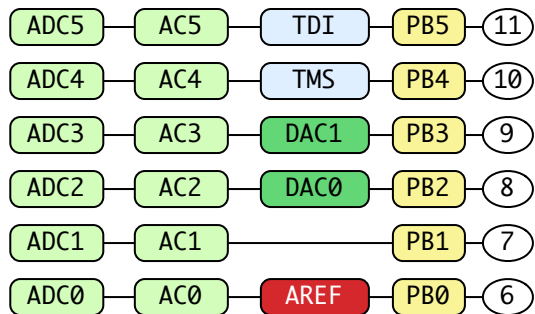
EXTRAIO



PORTE



PORTB



CONTROL

