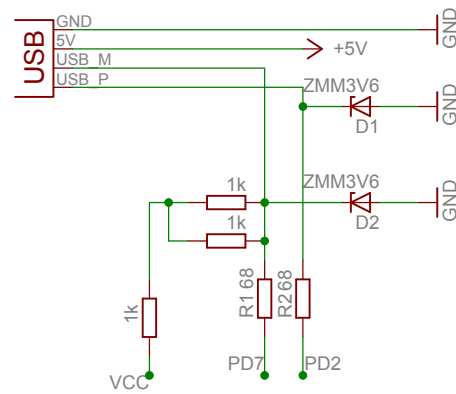


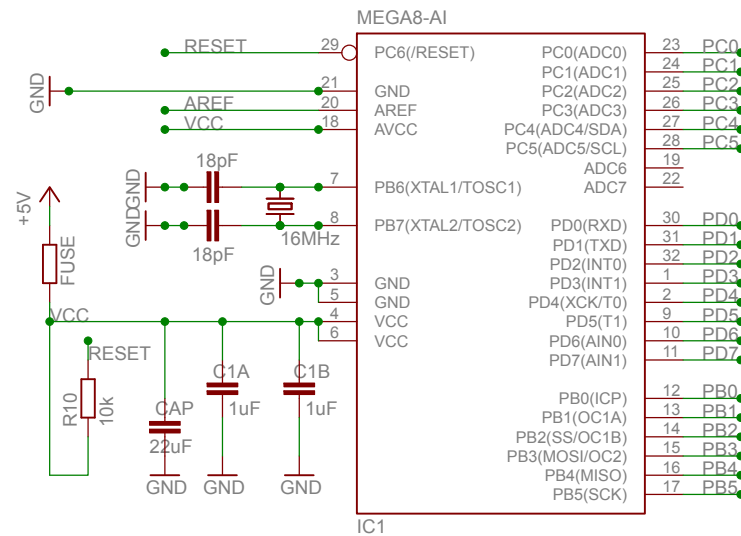
# Open Source Low Cost V-USB, Arduino Compatible Board: tinyUSBboard

From: Stephan Bärwolf, Sharath Chandra, Martin Fischer

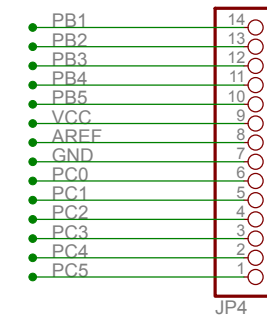
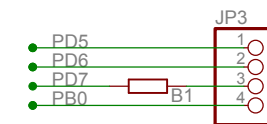
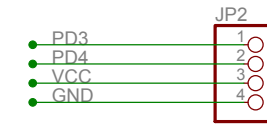
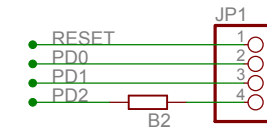
## USB Circuit



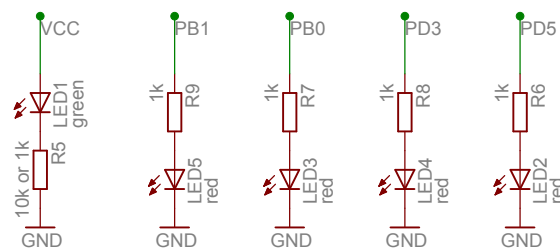
## AVR Microcontroller



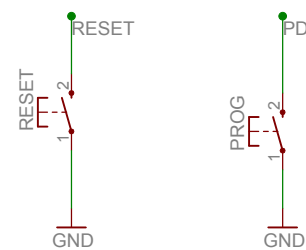
## Connectors



## Status LEDs



## RESET & PROG Switches



Title: tinyusbboard	
Version: SMD rev4	
18.10.2014 22:00:00	
Drawn By: www.matrixstorm.com	1/1